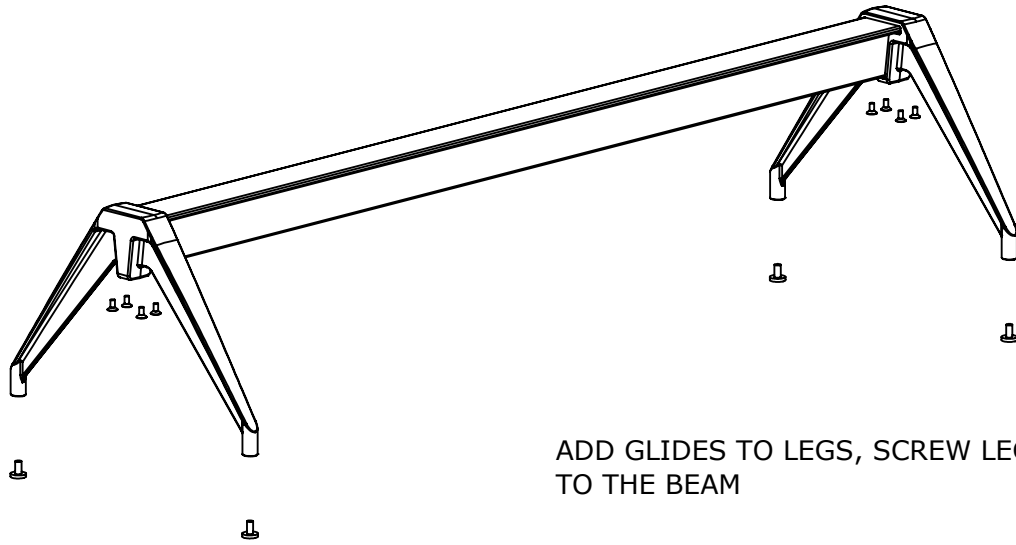


## GRAND BEAM

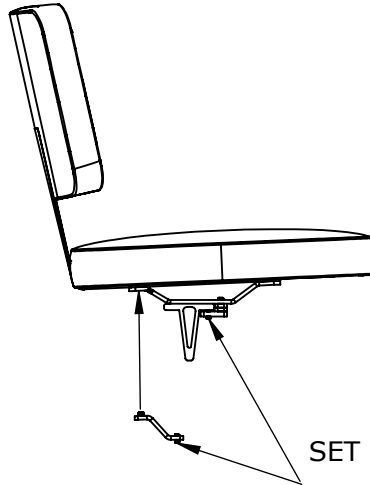
M511-1

1



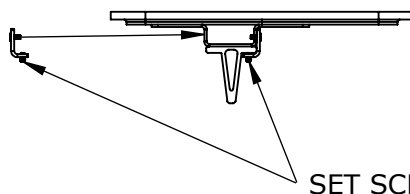
ADD GLIDES TO LEGS, SCREW LEGS TO THE BEAM

2



ADD SEAT(S) TO BEAM.  
DO NOT TIGHTEN SET SCREWS YET

3

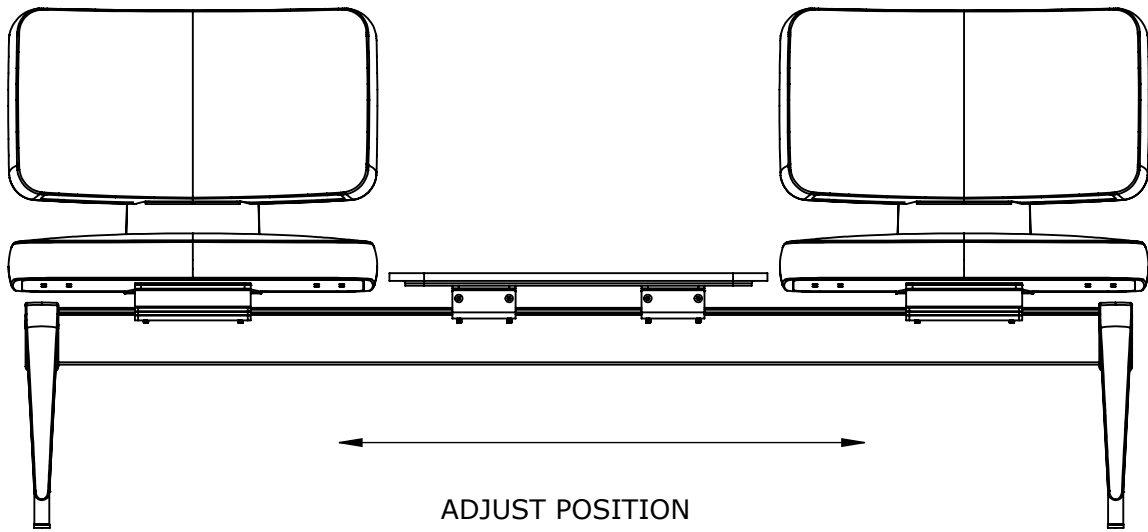


ADD TABLE(S) TO BEAM.  
DO NOT TIGHTEN SET SCREWS YET

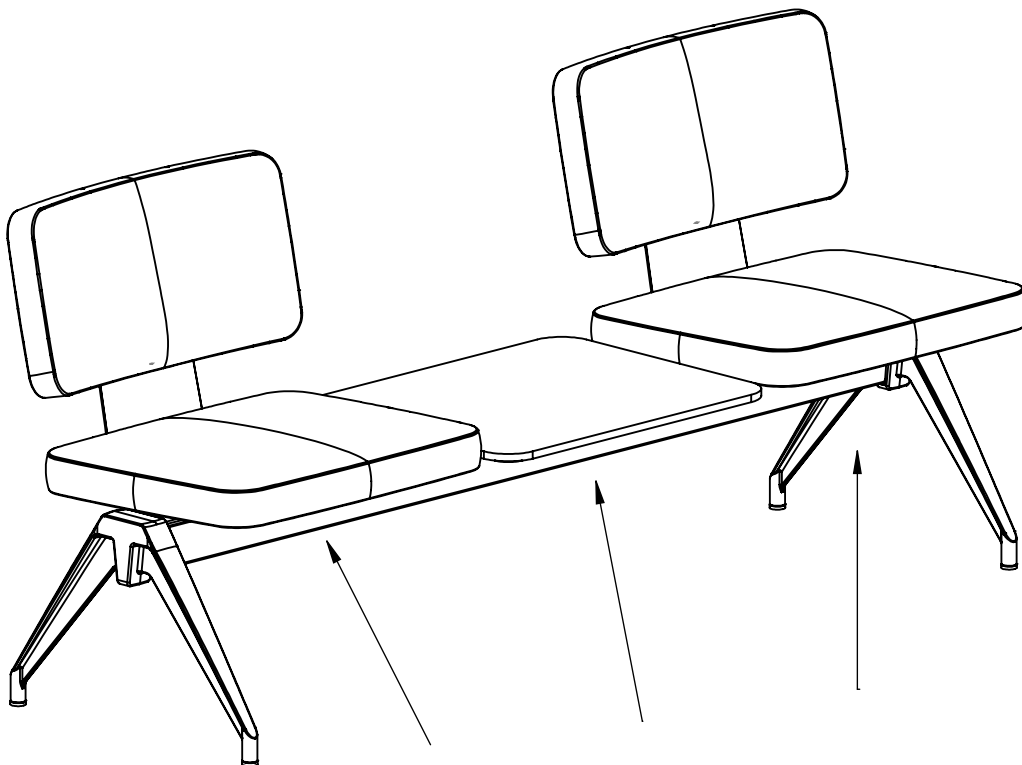
## GRAND BEAM

M511-1

4



5



TIGHTEN SET SCREWS, 4 PCS FOR EACH BRACKET