

MONTERINGSBESKRIVNING ASSEMBLY INSTRUCTION



Nomono Bench

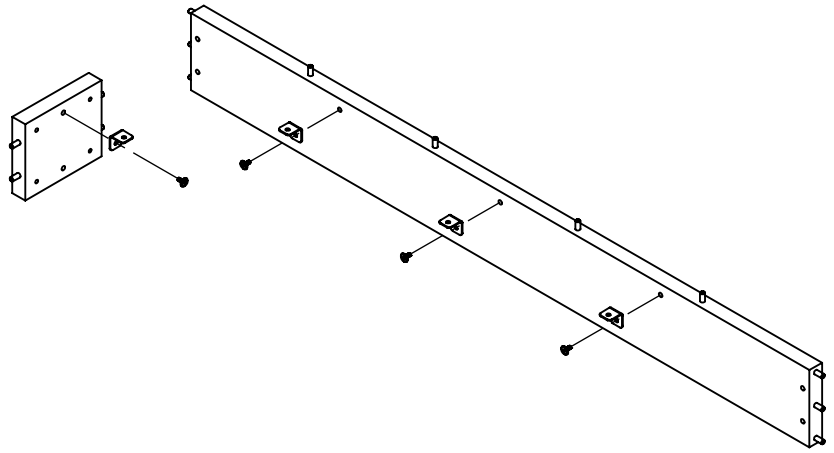
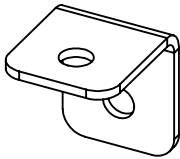
M508-1

1

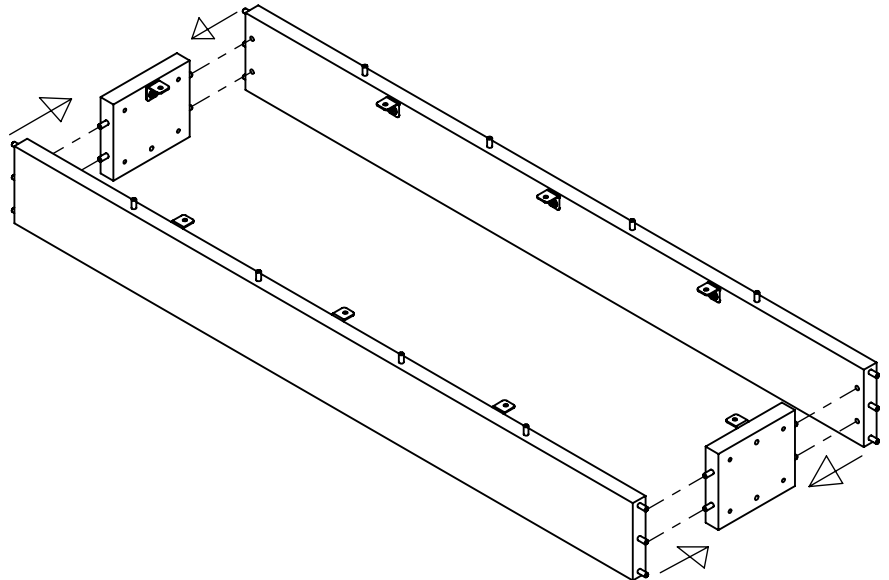
8pcs P6S M6x12



8pcs bracket

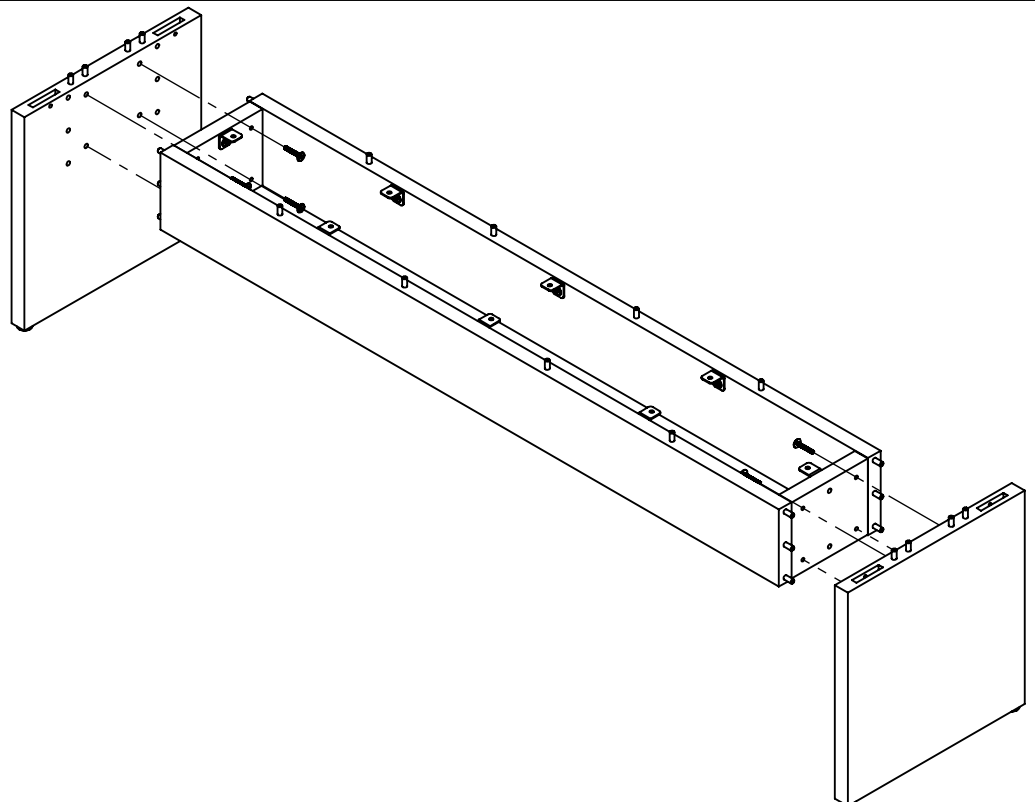
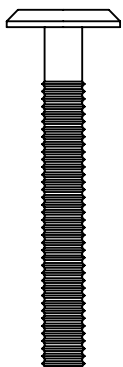


2



3

8pcs P6S M6x45



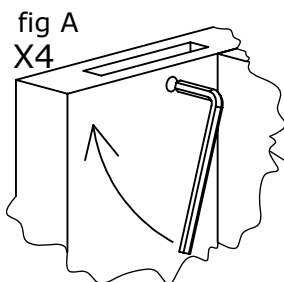
MONTERINGSBESKRIVNING ASSEMBLY INSTRUCTION

Nomono Bench

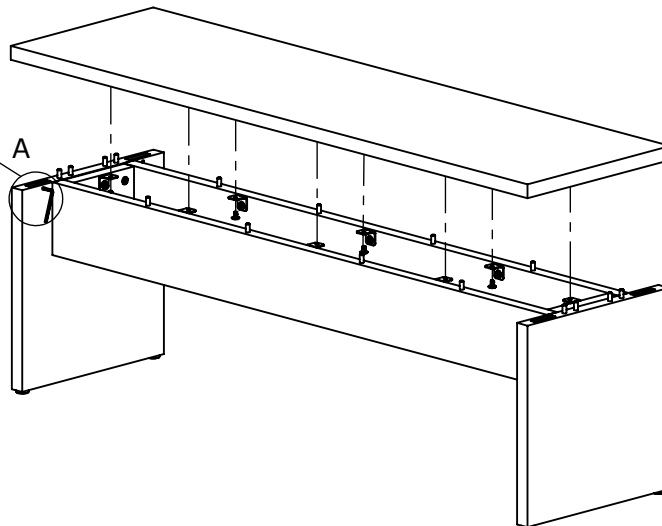
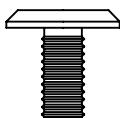
M508-1

4

insexnyckel
i hålet enl fig A
Allen key in holes
according to fig A

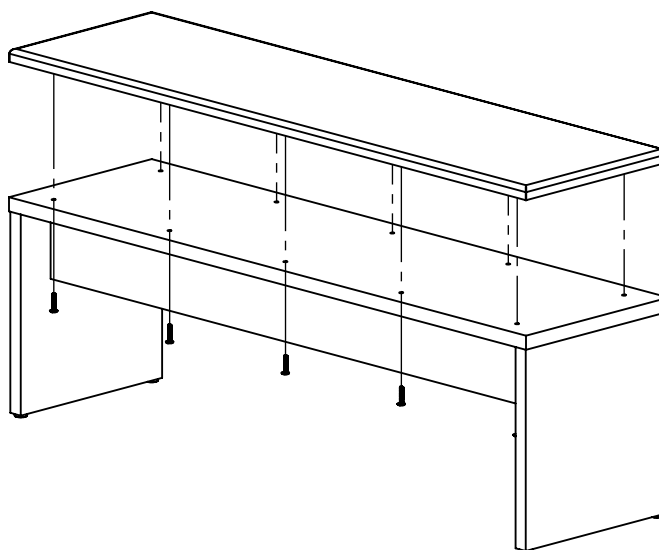
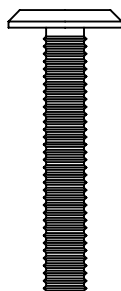


8pcs P6S M6x12



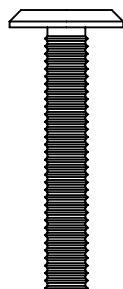
5

10pcs P6S M6x35



6

4pcs P6S M6x35



8pcs F6S M6x16

